

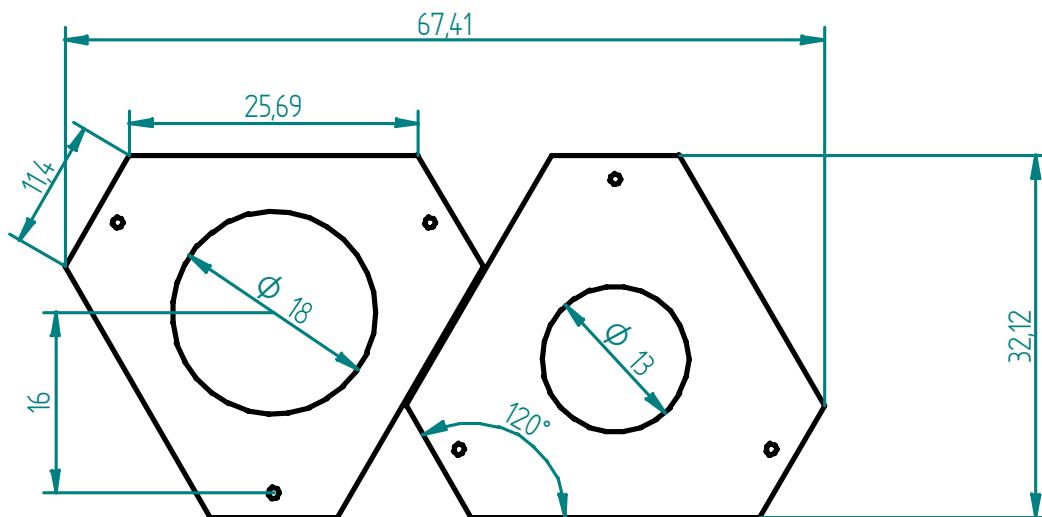
Tire Changing Tool for 4" Lancair Tires

Problem:

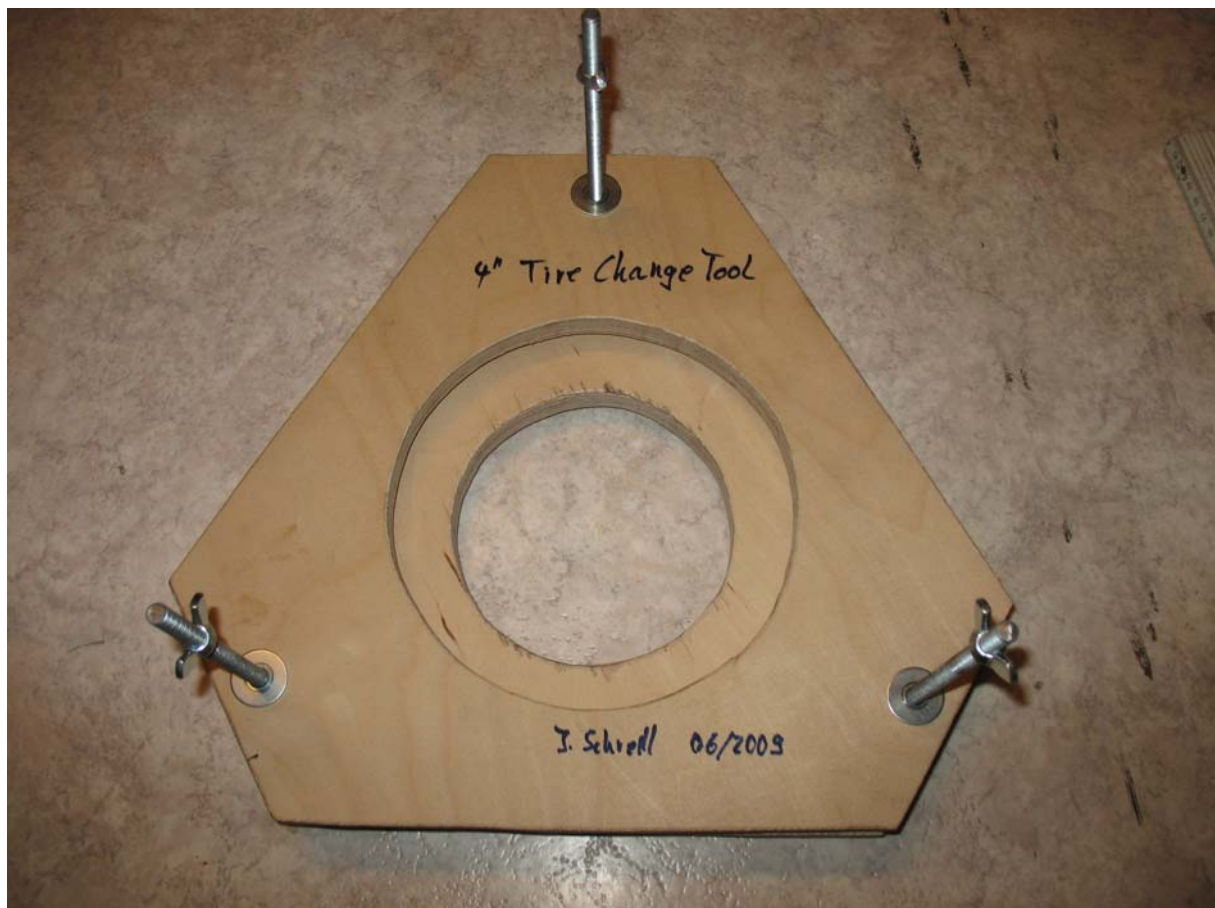
It is not easy changing tires. In addition there is a chance of pinching the tube during assembling the rim.

Remark:

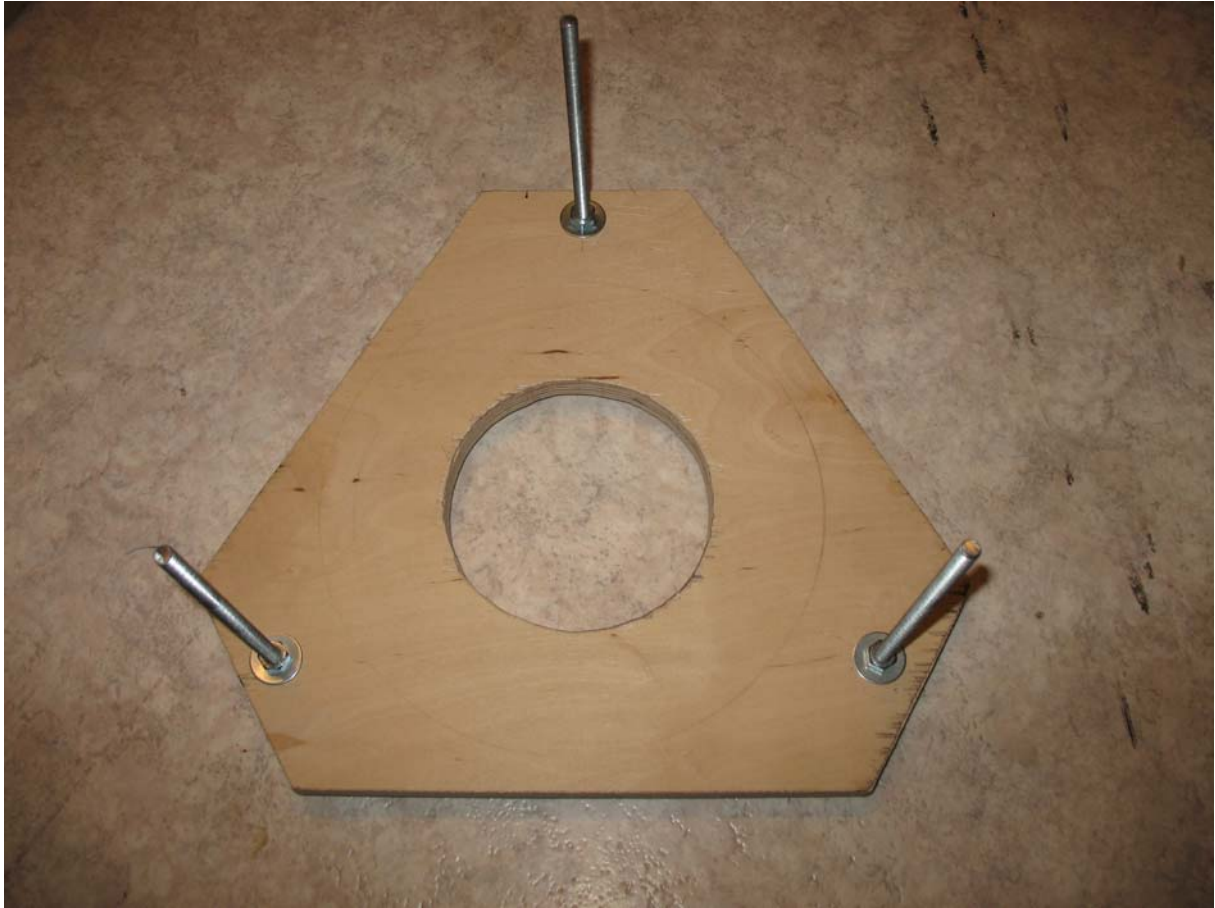
Following procedure use a Groove rim but it is similar to other wheel types.



Note: All dimensions in cm ($1'' = 2,54$ cm) and material is plywood 1,9cm thick. For 4" tire!



Tire changing tool for 4" wheels; use about 15cm M8 thread rod or similar



Lay part with the smaller cut out on ground



Adjust rim half with vent cut out first



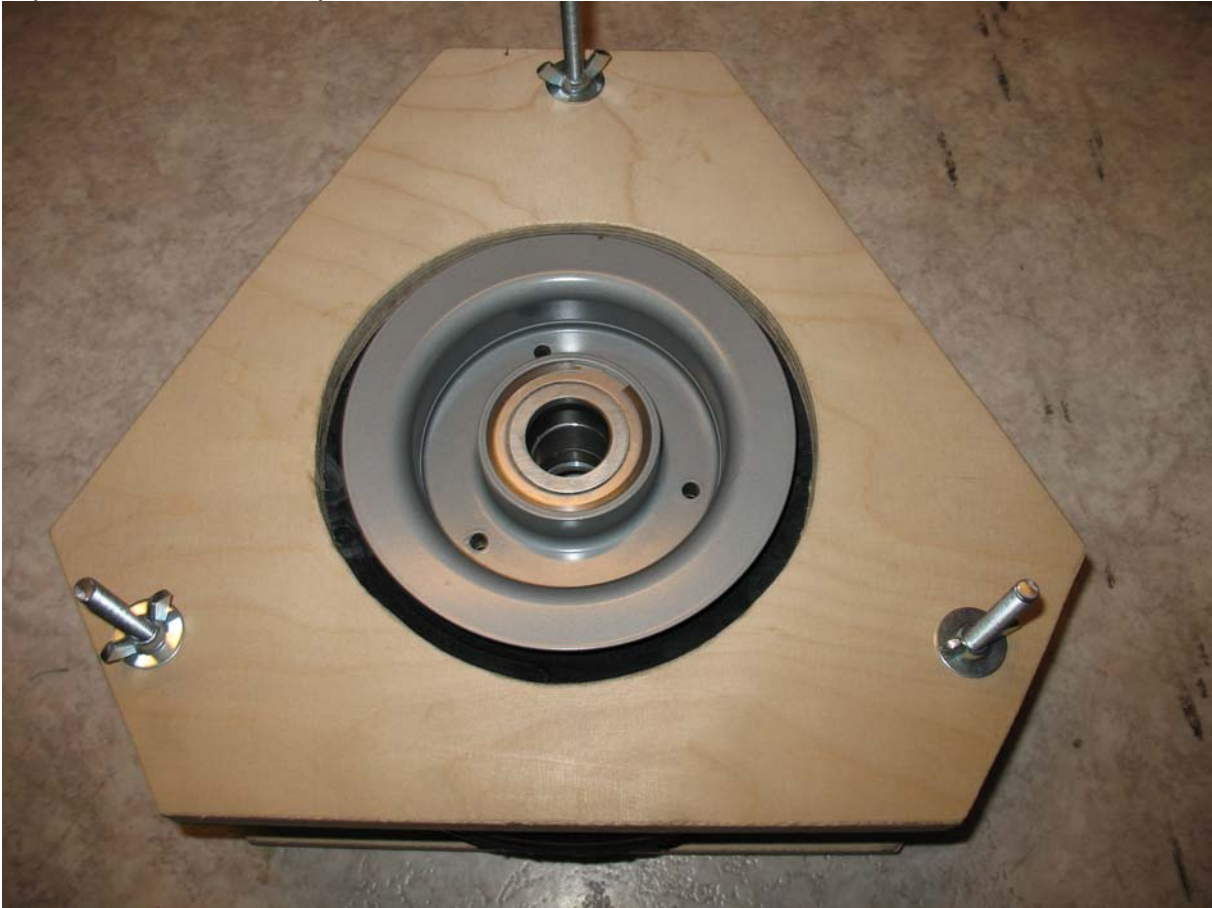
Adjust tire and insert tube (apply little talcum powder)



Fill little air to tube for better adjustment (not too much); apply part two of the tool and tear down



Adjust tube accurate to stay out of rim intersection area



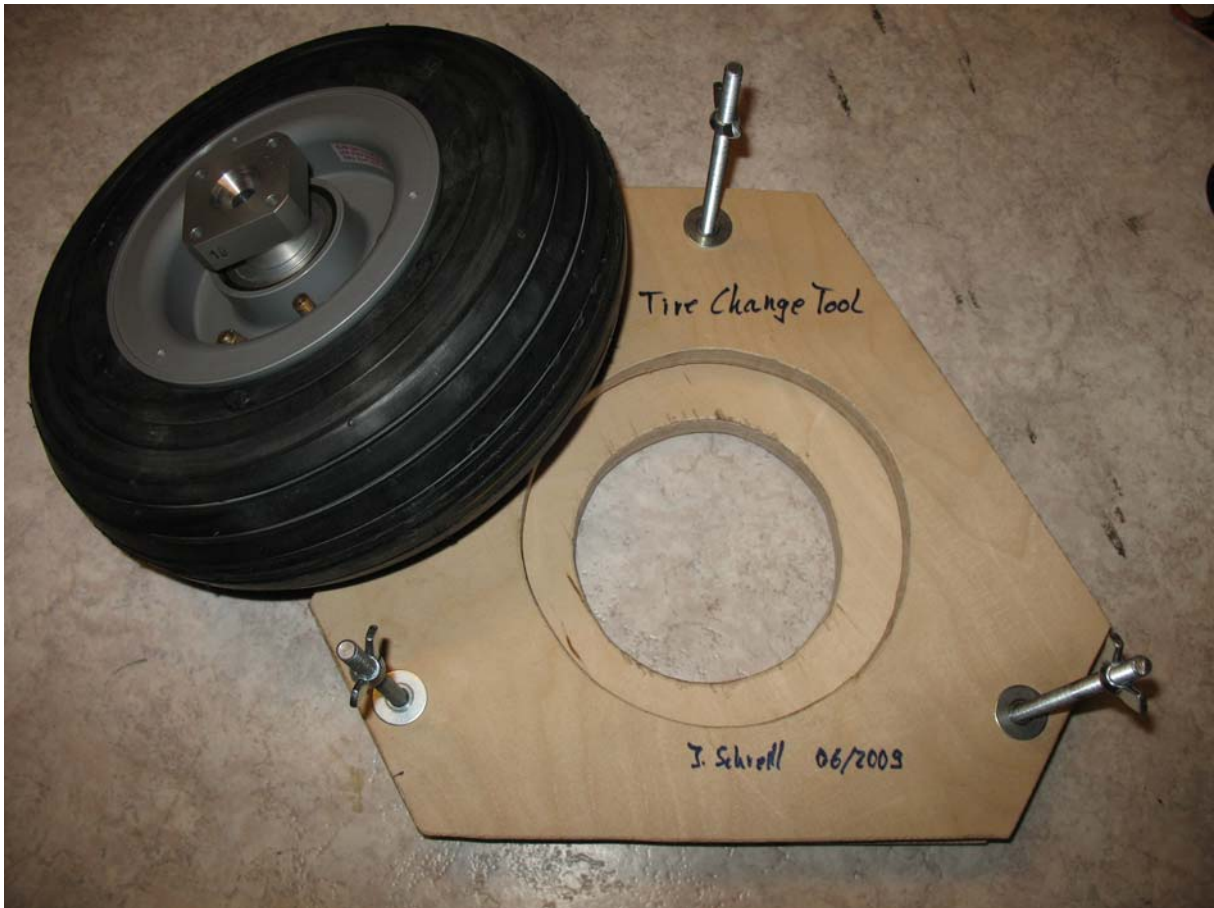
Apply second half of rim carefully (pay attention to vent cutout)



Apply brake disk (here: Groove type); Apply rim bolts and torque



Side view of tire changing tool compressed



Remove tire changing tool and apply pressure to tire

Additional remarks:

- always use a new tube with a new tire
- add little talcum powder to tube – not to much (this will cause the opposite effect)
- apply pressure to tire until tire completely rests on rim
- watch for any leaks
- apply red marker to rim/tire

Good luck!

Johannes Schredl 06/2009