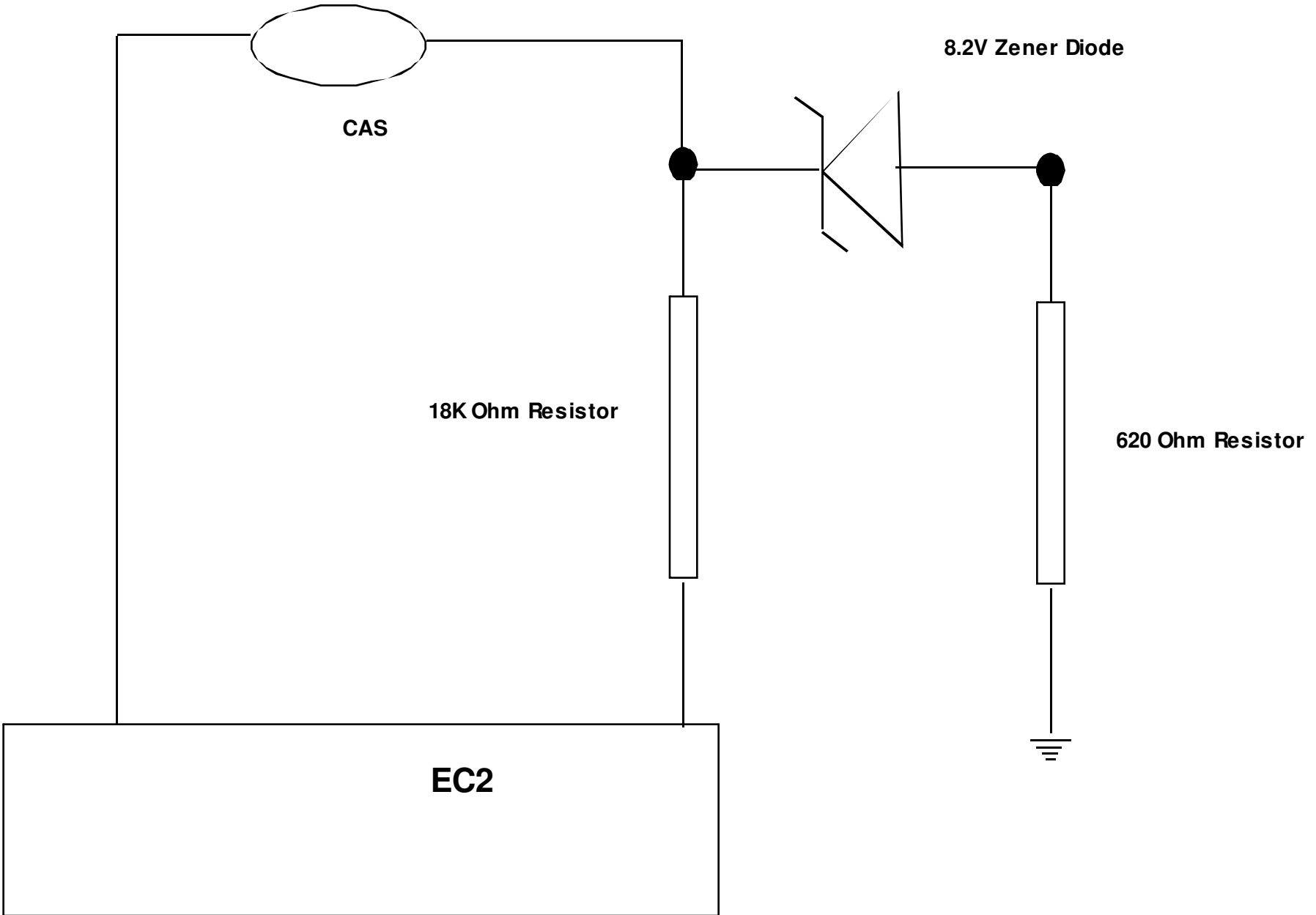


# Renesis CAS Mod



CAS

8.2V Zener Diode

18K Ohm Resistor

620 Ohm Resistor

EC2